

M105/M110 valve portfolio

Designed to boost your well economics, TechnipFMC's new M105/M110 valves meet API PR2 Annex F operational requirements and are built to withstand the harshest onshore production environments.

Features

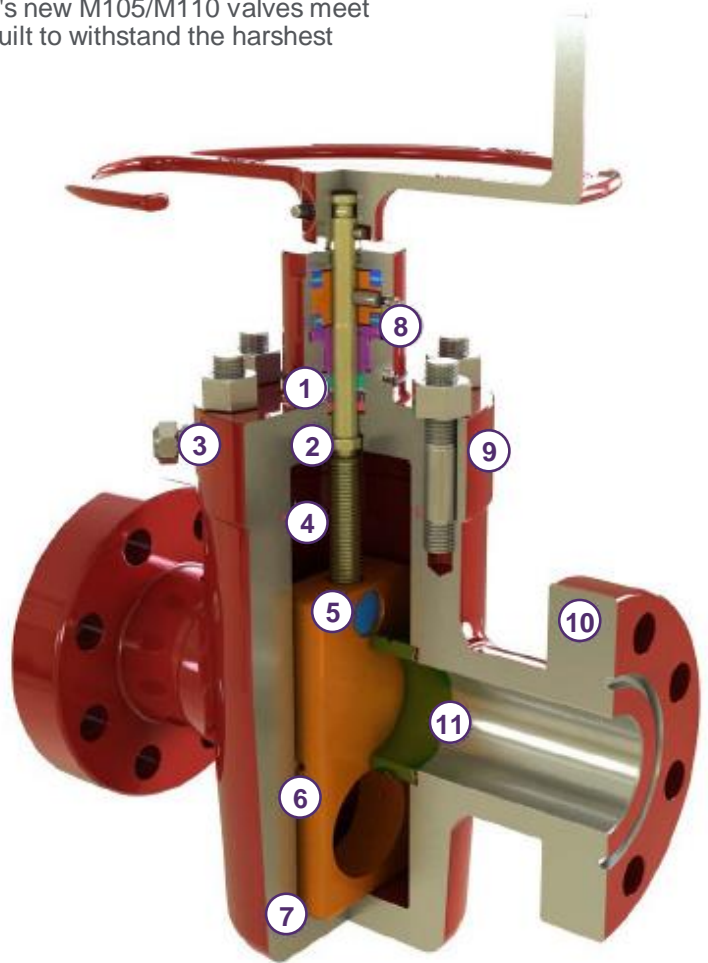
- Bi-directional metal-to-metal sealing
- Forged body and bonnet
- Manual or actuated
- Symmetric floating slab gate and seat design
- Patented non-elastomeric UV stem packing
- Metal-to-metal bonnet seal
- Metal-to-metal seat/gate seal
- Metal-to-metal seat/body seal
- Selective stem backseat seal
- API 6A Annex F PR2 qualified
- Wireshear capability

Benefits

- No pressure lock
- Field repairable
- Low torque operation

Applications

- Wellhead annulus valve
- Production trees
- Manifold systems
- Onshore
- Non-sandy service



Specifications		
Model	Size	Working Pressure
Model 105	2-1/16" to 7-1/16"	2,000, 3,000, 5,000 PSI
Model 110	1-13/16" to 5-1/8"	10,000 PSI
Temperature Class: -50°F to 250°F		
PSL: PSL 2 and PSL 3		
Material Class: AA to EE		

1. UV stem packing
2. Metal-to-metal stem backseat sea
3. Bleeder plug
4. Non-rising stem
5. Replaceable gate lift nut
6. Floating slab gate
7. Forged body
8. Stem bearings
9. Forged bonnet
10. End connections (API FE, LP, EUE)
11. Floating seat

Model 105/110 Gate Valve Trim Chart

API/NACE Material Class	AA	CC	DD	EE
Standard Service Limitations*	H2S<.05 CO2<7 Cl<20,000	H2S<.05 CO2>30 Cl<20,000	H2S<50 CO2<7 Cl<20,000	H2S<1.5 CO2<30 Cl<20,000
Body and Bonnet	Forged Alloy Steel	Forged Stainless Steel	Forged Alloy Steel	Forged Alloy Steel
Gate	Alloy Steel	Stainless Steel	Alloy Steel	Stainless Steel
Seat	Alloy Steel	Stainless Steel	Alloy Steel	Stainless Steel
Stem	Alloy Steel	Stainless Steel	Alloy Steel	Stainless Steel
Gasket	Stainless Steel	Stainless Steel	Stainless Steel	Stainless Steel

* For service conditions beyond these std. limits, contact TechnipFMC.
For other material class options please contact your TechnipFMC representative.

Nominal size (In)	Working pressure (PSI)	Dimension (in)		Valve weight (lbs)	Number of turns to open/close
		Flange end Length	Valve Height		
M105					
2 1/16	3K	14.6	22.6	156	12.6
	5K				
2 9/16	3K	16.6	24.6	223	15.1
	5K				
3 1/8	3K	17.1	26.8	279	18.7
	5K	18.6		321	
4 1/16	3K	20.1	33.2	475	23.6
	5K	21.6		514	
5 1/8	5K	28.6	39.2	853	28.4
6 3/8	5K	29.0	45.7	1255	37.3
7 1/16	5K	32.0	38.2	1193	30.6
M110					
1 13/16	10K	18.25	23.7	172	11.4
2 1/16	10K	20.5	24.2	209	12.8
2 9/16	10K	22.3	28.1	303	16.0
3 1/16	10K	24.4	30.2	397	19.0
4 1/16	10K	26.4	34.2	697	24.1
5 1/8	10K	29.0	43.0	1111	24.5

Corporate
TechnipFMC
11740 Katy Freeway
Energy Tower 3
Houston, Texas 77079 (USA)
O: +1 281 591 4000

Regional
13138 Lockwood Road
Houston, Texas 77044 (USA)
O: +1 281 405 3030

149 Gul Circle
Singapore, 629605
O: +65 6861 3011